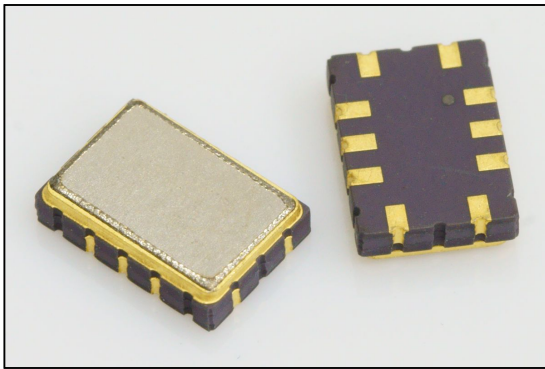


Central frequency - 165.35 MHz

Passband - 6.7 MHz

Complies with Directive 2002/95/EC (RoHS)

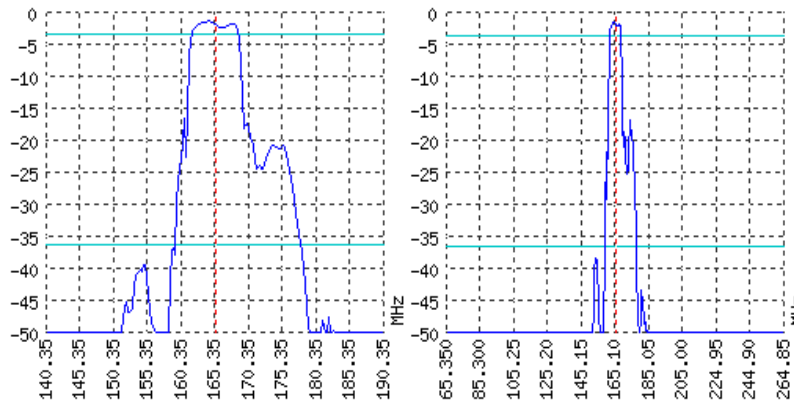


Looking for information on other SAW devices at: <http://aec-pro.com/filters.php>

Designed by: Ltd. AEC Design

Mass production: Ltd. AEC

TYPICAL PERFORMANCE



SPECIFICATIONS

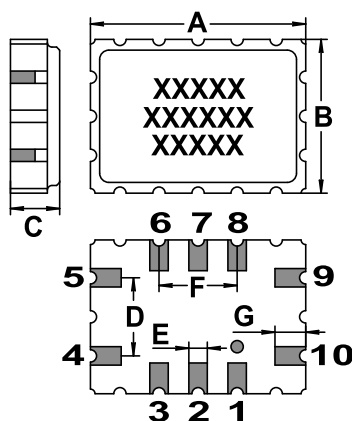
| Parameter                  | Unit | Low frequency   | Typical            | Upper frequency |
|----------------------------|------|-----------------|--------------------|-----------------|
| Central frequency          | MHz  | -               | 165.35             | -               |
| Insertion loss             | dB   | -               | Not more 2         | -               |
| Bandwidth edge -2dB level  | MHz  | Not more 162.29 | -                  | Not less 168.41 |
| Bandwidth edge -35dB level | MHz  | Not less 157.87 | -                  | Not more 178.7  |
| Amplitude ripple           | dB   | -               | Not more 2         | -               |
| Group Delay Ripple         | ns   | -               | -                  | -               |
| Ultimate rejection         | dB   | -               | 35                 | -               |
| Operating temperature      | °C   | -55             | 22                 | +85             |
| Substrate                  | -    | -               | Lithium niobate 64 | -               |

Notes:

- For information. Order a ЦПАР.433561.55 TY for a complete and updated data.
- Specification valid for measurements in AEC test fixture.

CASE QCC 12B

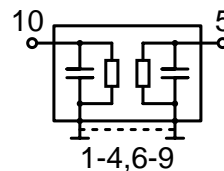
MATCHING



<http://aec-pro.com/cases.php>



| DIMENSIONS (mm) |      |
|-----------------|------|
| A               | 7    |
| B               | 5    |
| C               | 1.6  |
| D               | 2.54 |
| E               | 0.6  |
| F               | 2.54 |
| G               | 1    |



| Input 50 Ohm |   | Output 50 Ohm |   |
|--------------|---|---------------|---|
| L1, nH       | - | L2, nH        | - |
| C1, pF       | - | C2, pF        | - |

Signal input: 10  
Signal output: 5  
Ground: other pin

\*Matching condition depends on PCB layout.

Recommendations:

- See the relevant ЦПАР for maximum permissible input signal power in the bandwidth.
- Input signal amplitude in the stop band is limited to 5 V.
- DC voltage at the input (output) of the filter should not exceed 10 V.
- It is recommended to include the coupling capacitor between the device and the generator (load).
- SAW filters are sensitive to static electricity, therefore corresponding precautions should be taken while working with them.
- Do not expose the device to frequency vibrations more than 5 kHz. Do not use ultrasonic cleaners.

Design and production SAW filters, resonators, delay lines, sensors.

**AEK** Ltd. AEC Mass production. Acceptance - QCID.  
aec@aec-pro.com | tel./fax (812)252-93-70

**AEC** Ltd. AEC Design Design and production. Military acceptance.  
admin@aec-design.com | tel.(812)377-04-26 | fax.(812)364-60-69